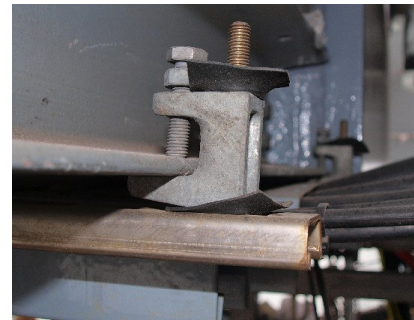
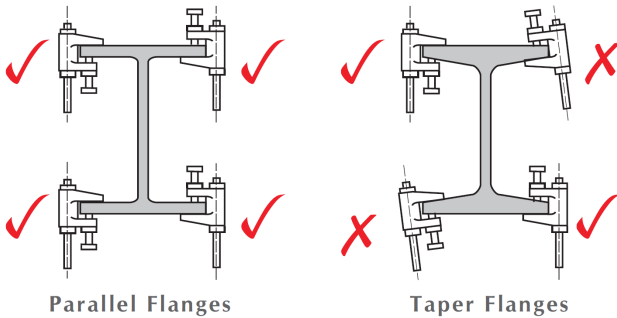


hot dip galvanized



**Malleable Cast Iron**  
 - Hot Dip Galvanized ISO 1461: 1999  
 - Hexagon Head Bolt BS3692:2001 8.8 & Nut  
 - for sprinkler system, heating, ventilation and air conditioning, acoustic tubes and sanitary installation machines and steel constructions

Item No	Type	A mm approx.	B mm approx.	C mm approx.	D mm approx.	E mm approx.	F mm approx.	G mm approx.	H mm approx.	Ultimate Load (N)
4043508018	M8 (18)	21	19	35	M8 Ø9	35	M8	18	38	1200
4043510020	M10 (20)	23	21	42	M10 Ø11	41	M10	20	44	2500
4043512026	M12 (26)	35	23.5	54	M12 Ø13	48	M10	26	58	3500
4043512050	M12 (50)	35	23.5	78	M12 Ø13	48	M10	50	58	3500